

CEILING & FACADES

GENESIS TECHNOLOGY CO.,LTD

20 YEARS WARRANTY THAT COLOR NOT FADE
MAKE ARCHITECTURE CAN FLOAT



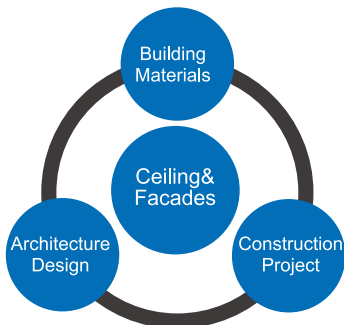
GENESIS

BUILDING EASIER OVER WORLD



Headquarter in Nanjing,China,we have three major manufacture base in Foshan,Xuancheng and Changzhou of Jiangsu.We also have representative office in Thailand,Mexico,France,Turkey and Dubai.By the global team of modern ceiling&facades design,we provide innovative solutions,intelligent products and professional service,more than 15 years experience exported to more than 100 countries and regions.

BY BEST WAYS TO WORK TOGETHER



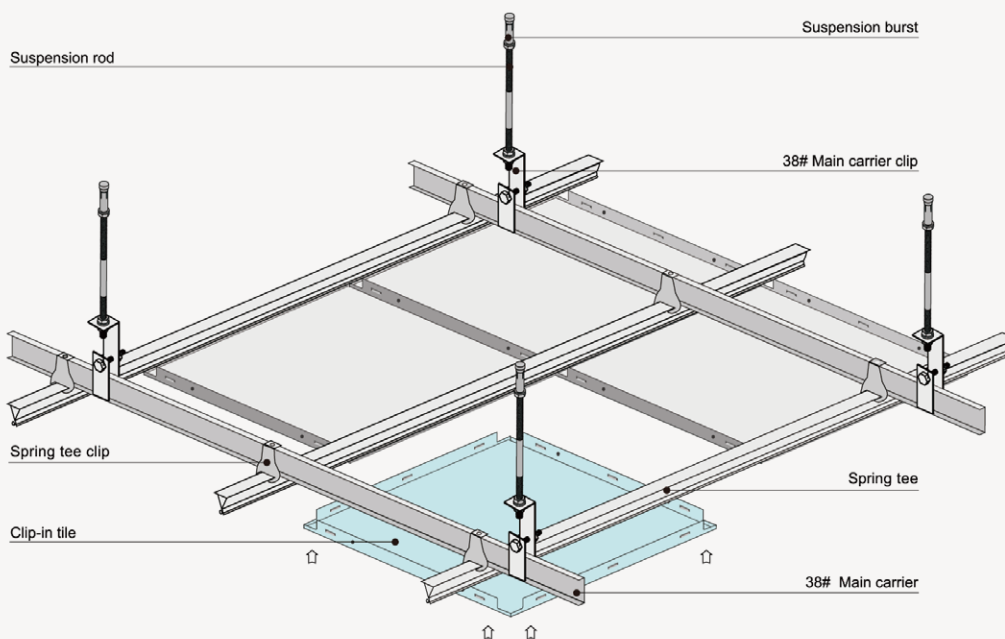
Genesis Technology Co., is a professional supplier of aluminum ceiling and facades system for building materials used, architecture design and construction project.

GENESIS TECHNOLOGY

CLIP-IN CEILING SERIES

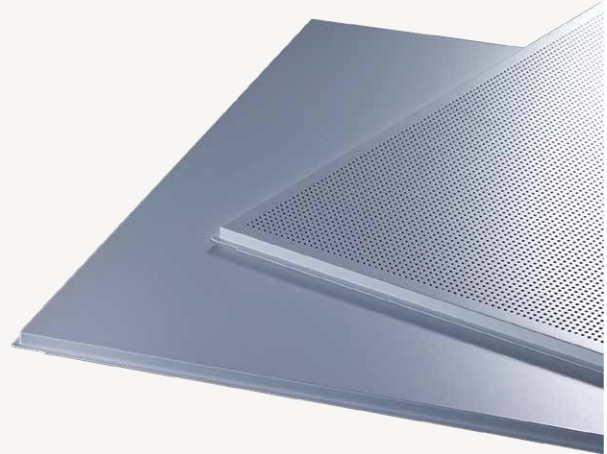


Size (mm)	Thickness (mm)	Surface Treatment	
300*300	0.45-0.8	PE Powder Coated PE Pre-painted Film Coated Wood grain	
300*600	0.45-0.8		
300*1200	0.7-1.0		
400*400	0.45-0.8		
500*500	0.45-0.8		
500*1200	0.7-1.0		
600*600	0.45-1.5		
600*1200	0.7-1.5		

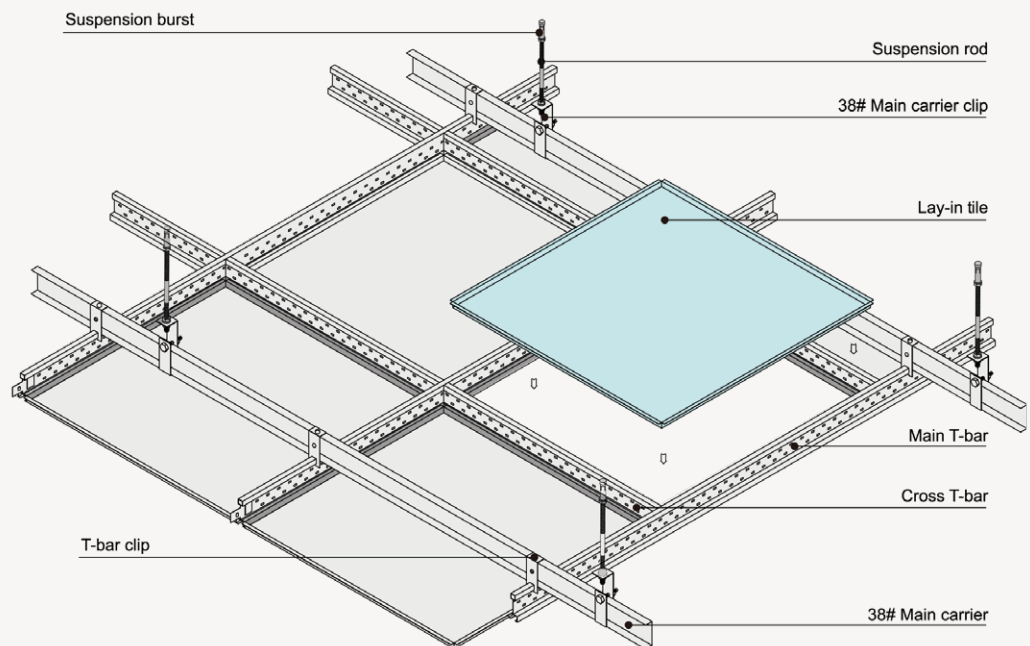
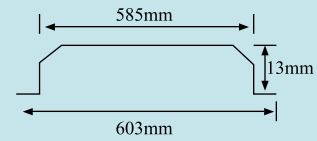
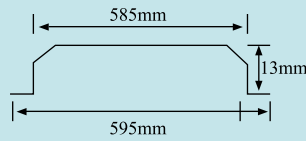
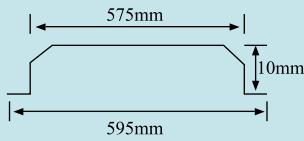


GENESIS TECHNOLOGY

LAY-IN CEILING SERIES

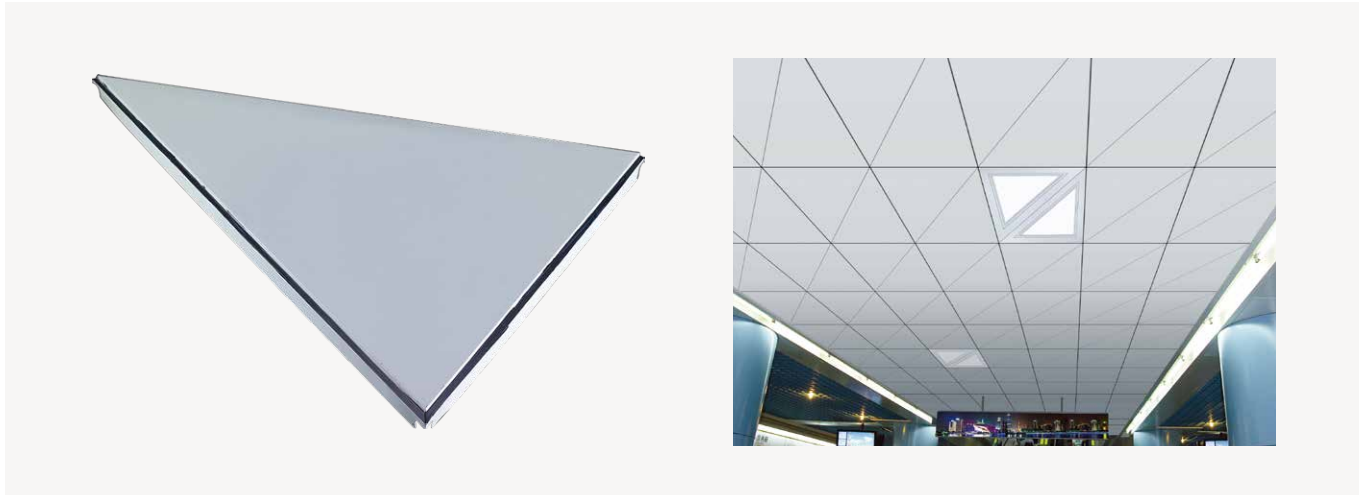


Size (mm)	Thickness (mm)	Surface Treatment
600*600	0.6-0.8	PE Powder Coated / PE Pre-painted Film Coated / Wood grain
600*1200	0.7-1.1	

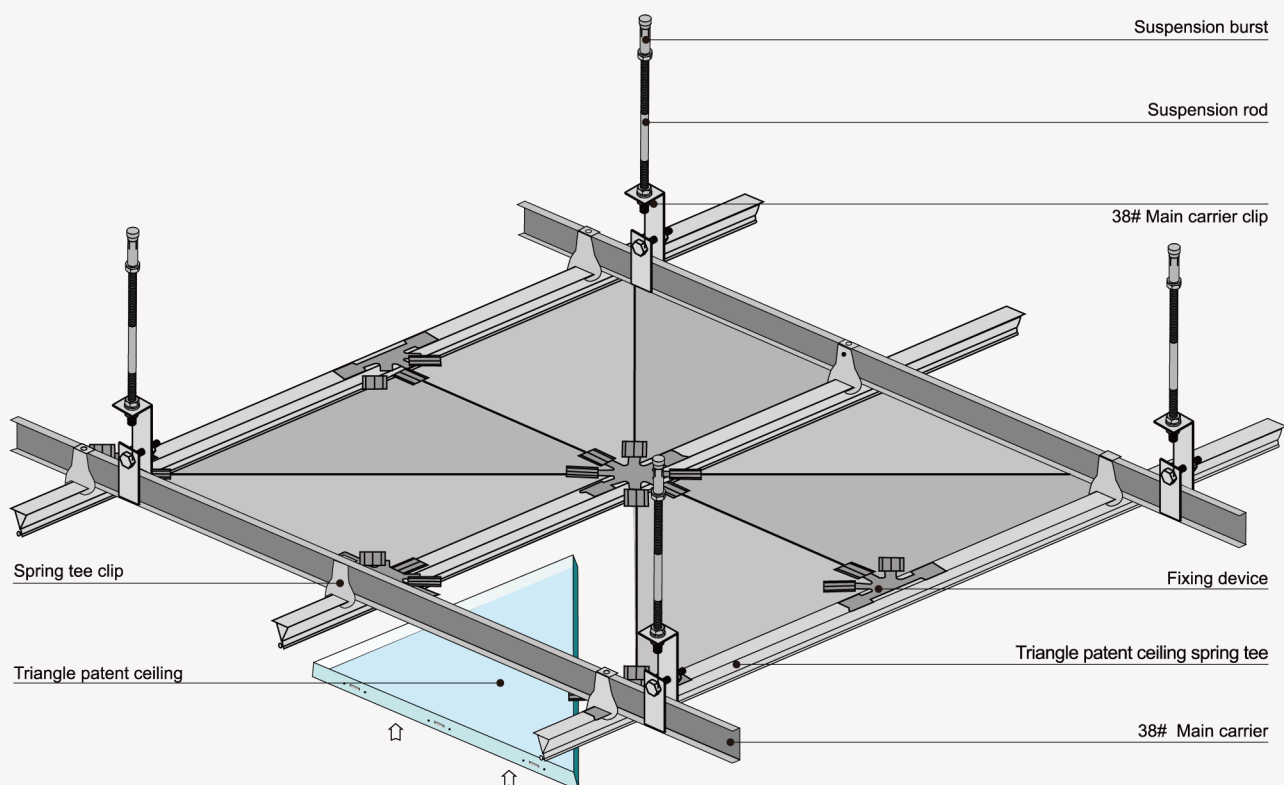


GENESIS TECHNOLOGY

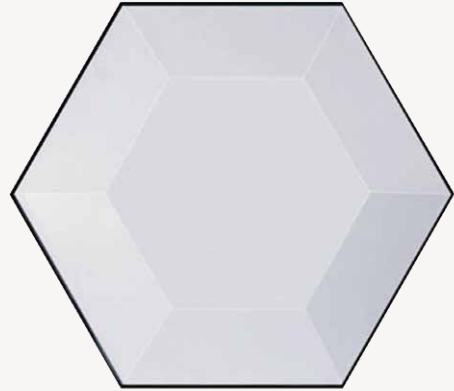
TRIANGLE CEILING SERIES



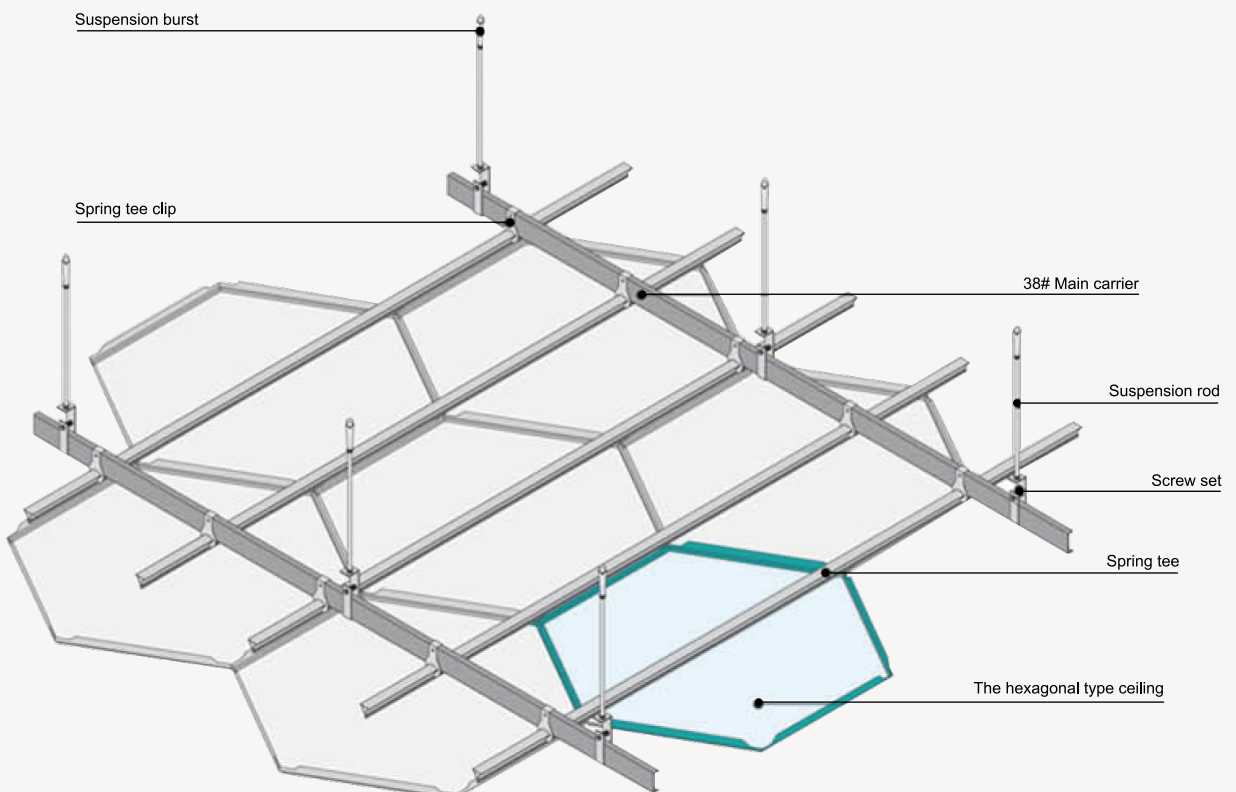
Size (mm)	Thickness (mm)	Surface Treatment
800*800*1130	0.8-1.0	PE Powder Coated / PE Pre-painted Film Coated / Wood grain
1000*1000*1000	0.85-1.0	
1200*1200*1200	1.0-1.2	



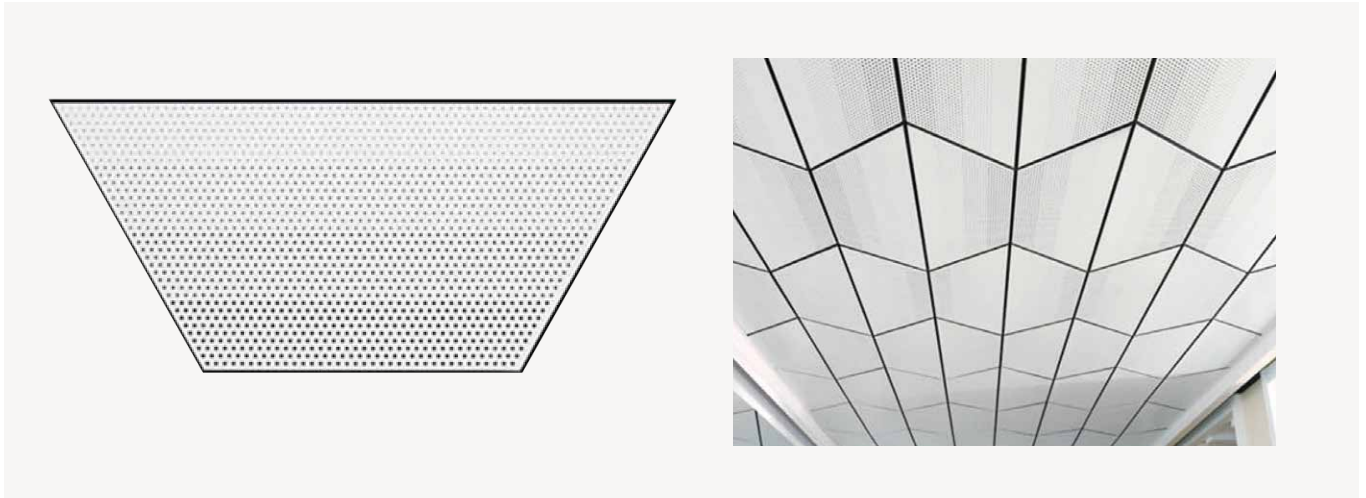
HEXAGONAL CEILING SERIES



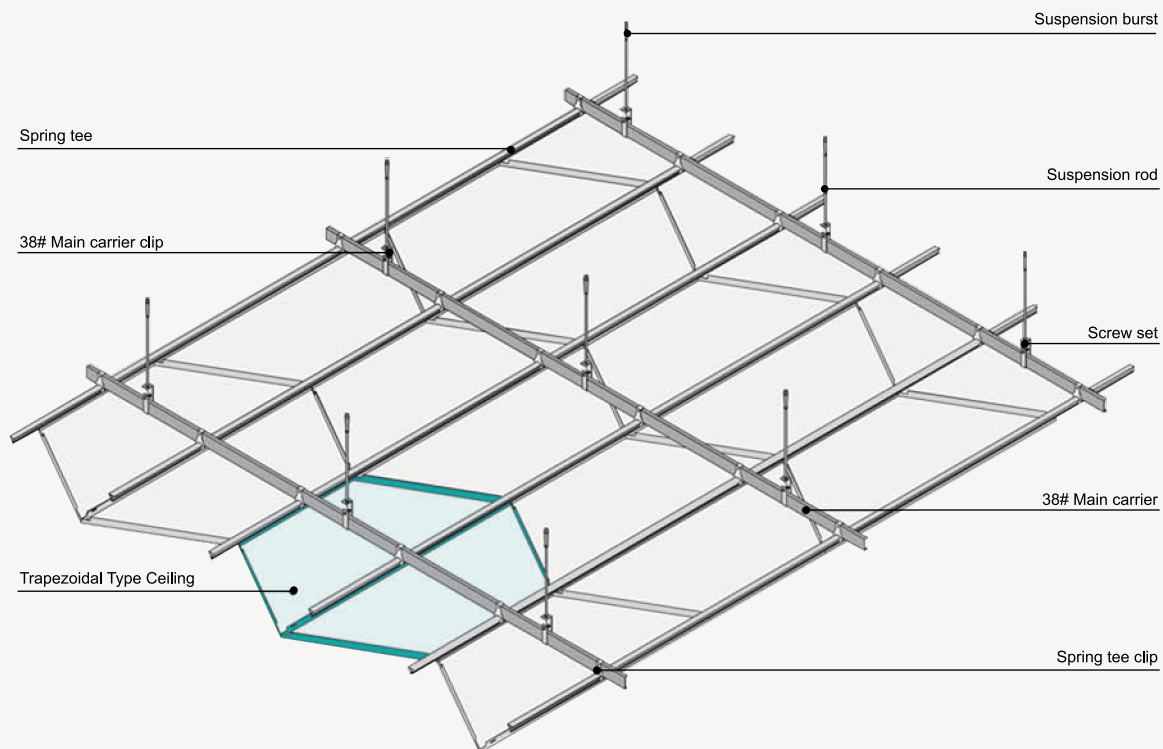
Size (mm)	Thickness (mm)	Surface Treatment
462	0.9-1.1	PE Powder Coated / PE Pre-painted Film Coated / Wood grain



TRAPEZOIDAL CEILING SERIES



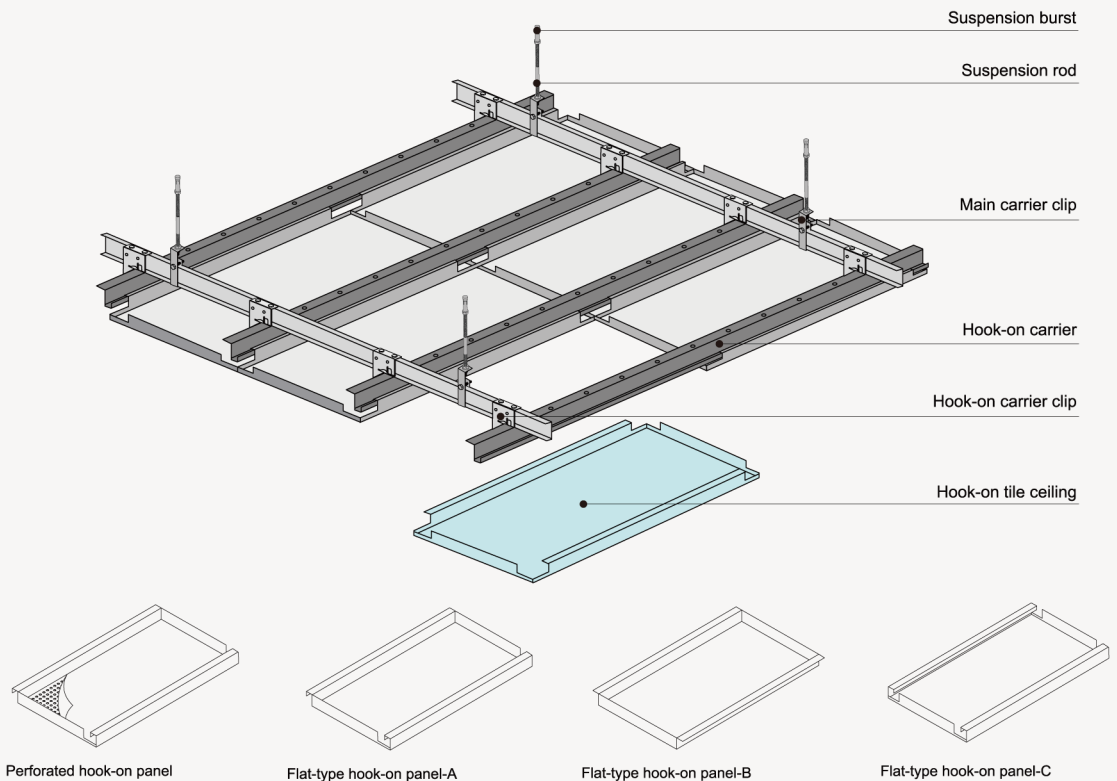
Size (mm)	Thickness (mm)	Surface Treatment
Top:462 Bottom:924	0.9-1.1	PE Powder Coated / PE Pre-painted Film Coated / Wood grain



HOOK-ON CEILING SERIES



Size (mm)	Thickness (mm)	Surface Treatment
600*1200	0.9-1.2	PE Powder Coated / PE Pre-painted Film Coated / Wood grain

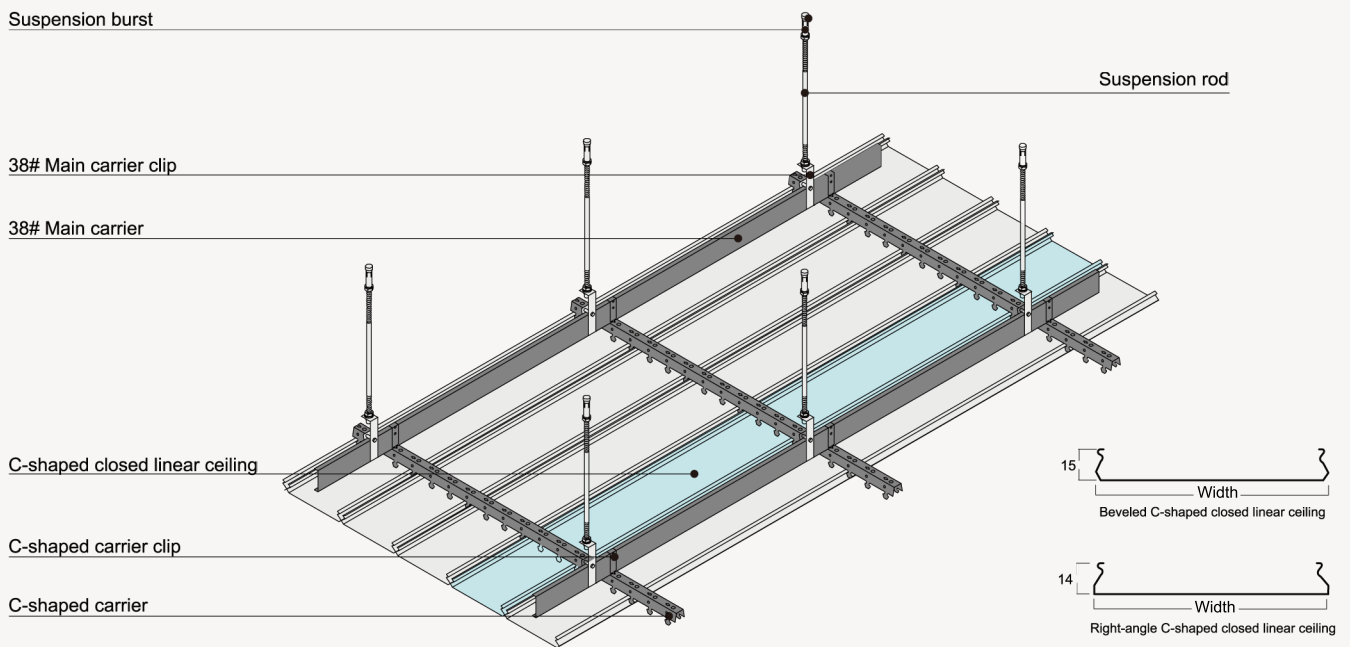


GENESIS TECHNOLOGY

C-SHAPED STRIP CEILING SERIES



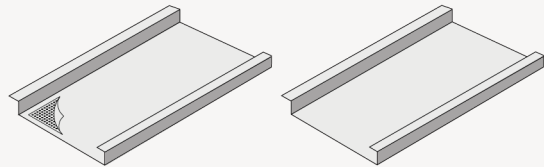
Width (mm)	Edge		Thickness (mm)	Surface Treatment	Length
	Beveled	Straight			
50C		•	0.5-0.6	PE Powder Coated PE Pre-painted Film grain	≤6000mm
75C	•		0.45-0.6		
100C	•	•	0.45-0.8		
150C	•	•	0.55-0.8		
200C	•	•	0.6-0.85		
300C	•	•	0.75-1.0		



G-SHAPED STRIP CEILING SERIES

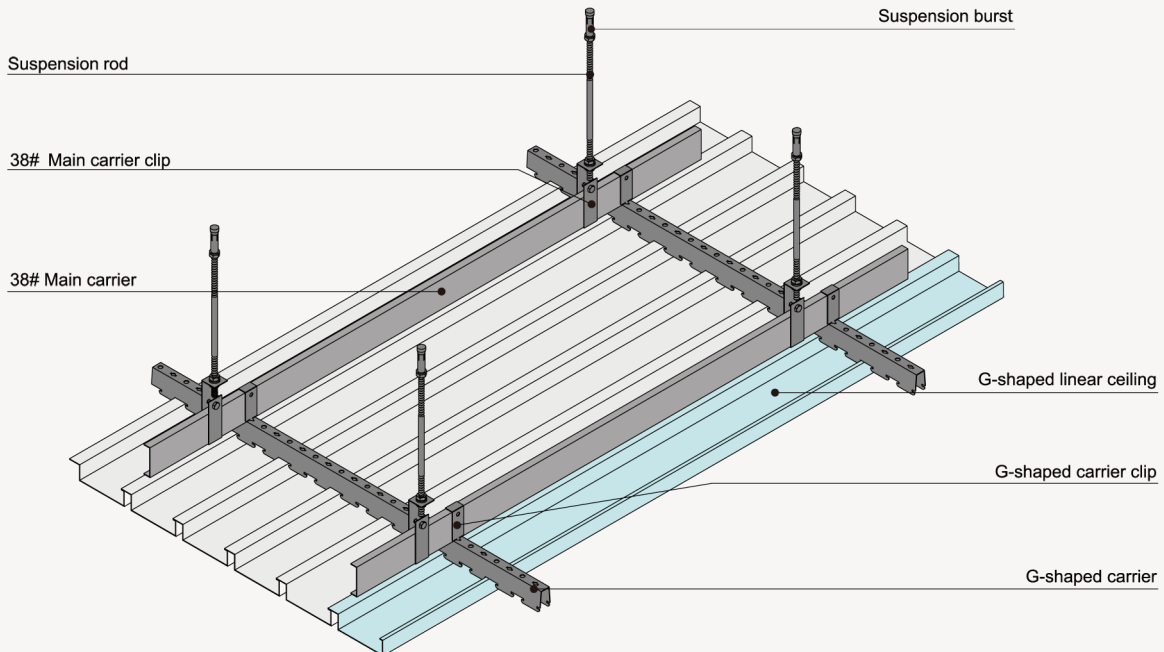


Width (mm)	Thickness (mm)	Surface Treatment	Length
100	0.5-0.75	PE Powder Coated/PE Pre-painted Film Coated /Wood grain	≤6000mm
200	0.55-0.8		
300	0.75-1.0		

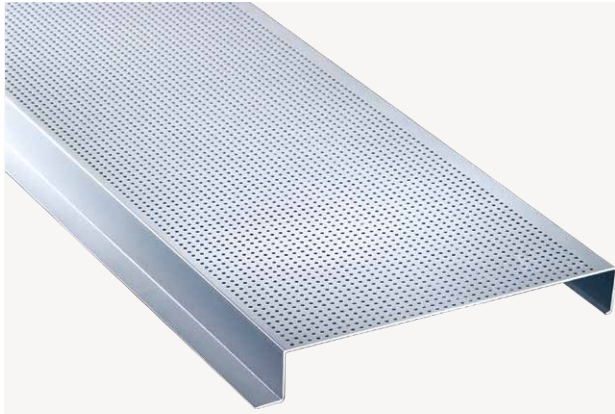


G-shaped perforated linear ceiling

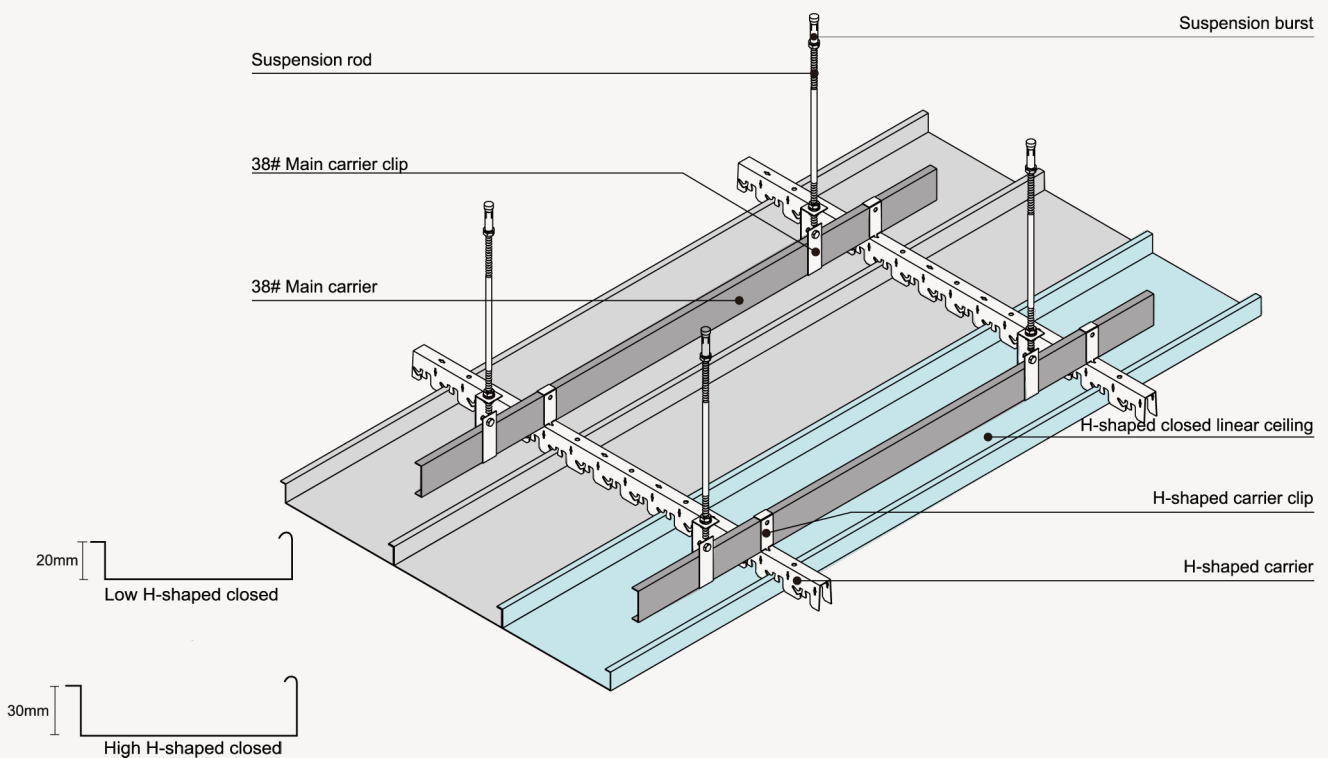
G-shaped linear ceiling



H-SHAPED STRIP CEILING SERIES

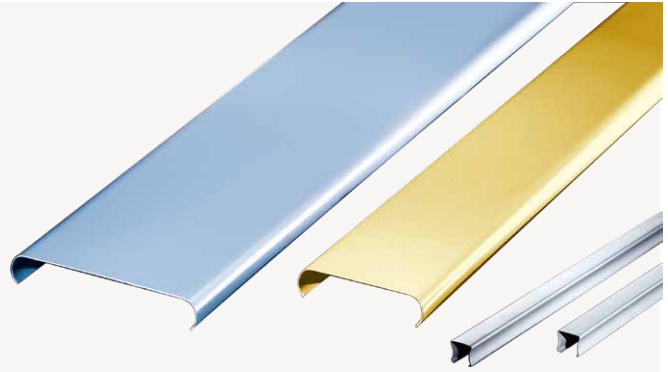


Width (mm)	Height (mm)	Thickness (mm)	Surface Treatment	Length
200	20	0.65-0.8	PE Powder Coated	≤6000mm
200	30	0.7-0.85	PE Pre-painted	
300	30	0.8-1.0	Film Coated /Wood grain	

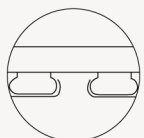
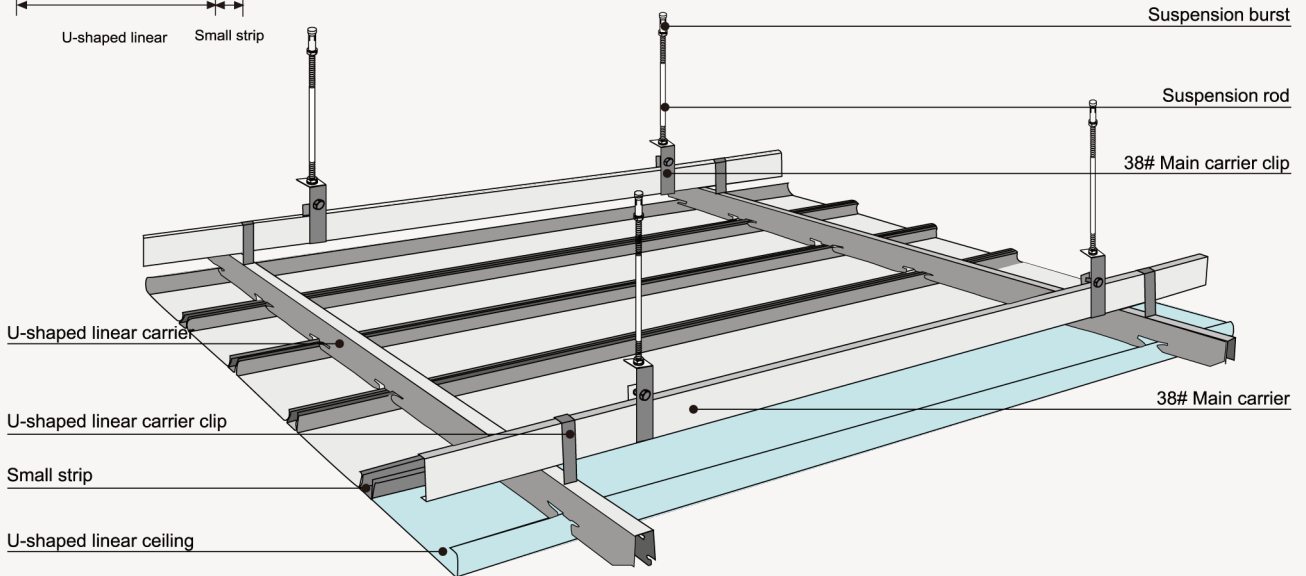
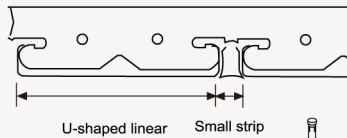


GENESIS TECHNOLOGY

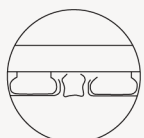
U-SHAPED STRIP CEILING SERIES



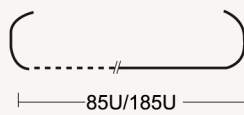
Width (mm)	Thickness (mm)	Surface Treatment	Length
85U	0.5-0.75	PE Powder Coated/PE Pre-painted Film Coated /Wood grain	≤6000mm
135U	0.55-0.8		
185U	0.65-0.9		



Open installation



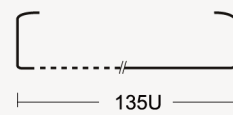
Closed installation



U-shaped linear



20mm small strip



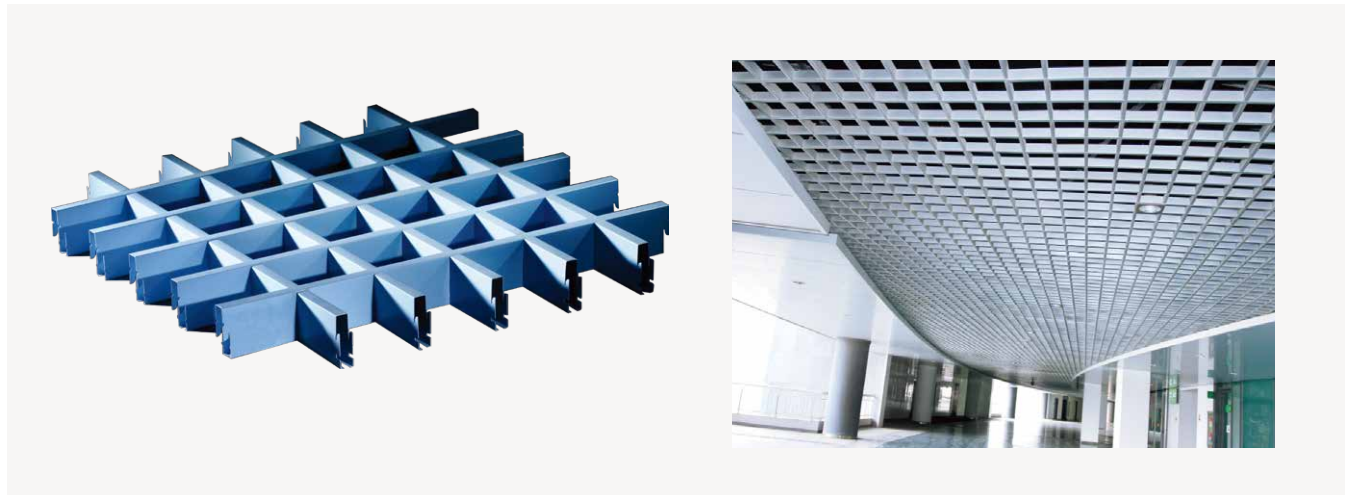
U-shaped linear



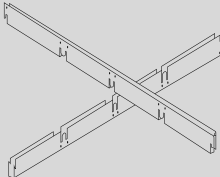
15mm small strip

GENESIS TECHNOLOGY

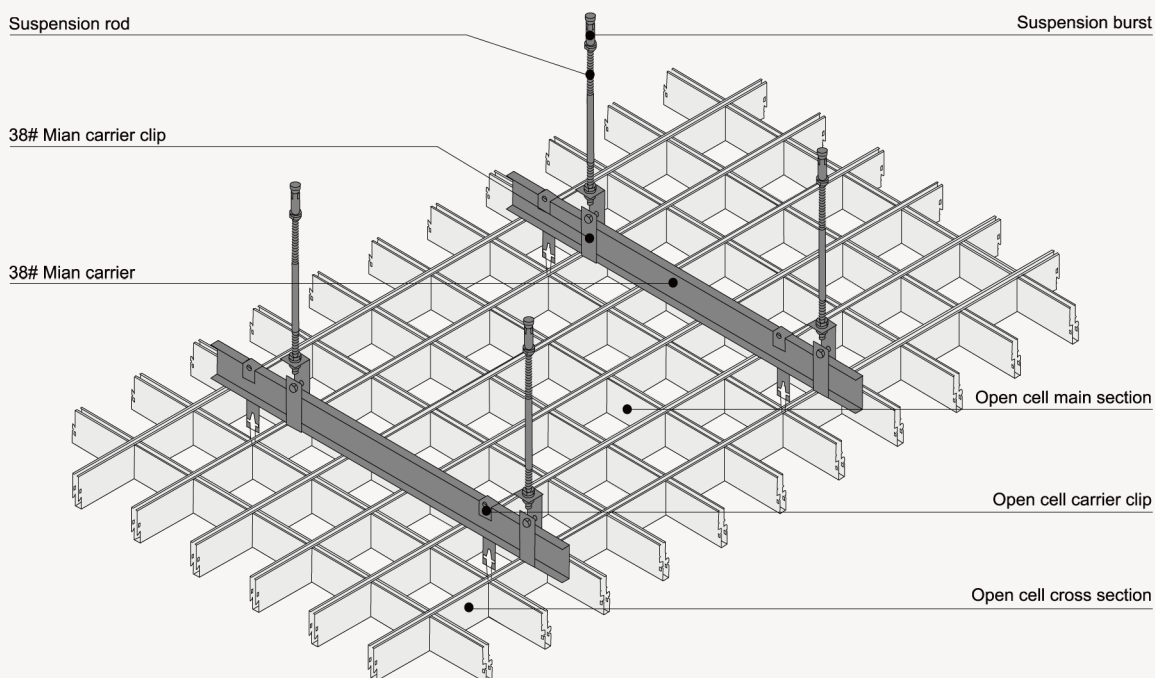
OPEN CELL CEILING SERIES



Cell Size(mm)	Bottom Width	Height (mm)	Surface Treatment
100*100	10	40/50	PE Powder PE Pre-painted Film Coated Wood grain
	20	50/60	
100*100	10	40/50	
	15	50/60	
200*200	20	50/60	
	10	40/50	
	15	50/60	
	20	50/60	



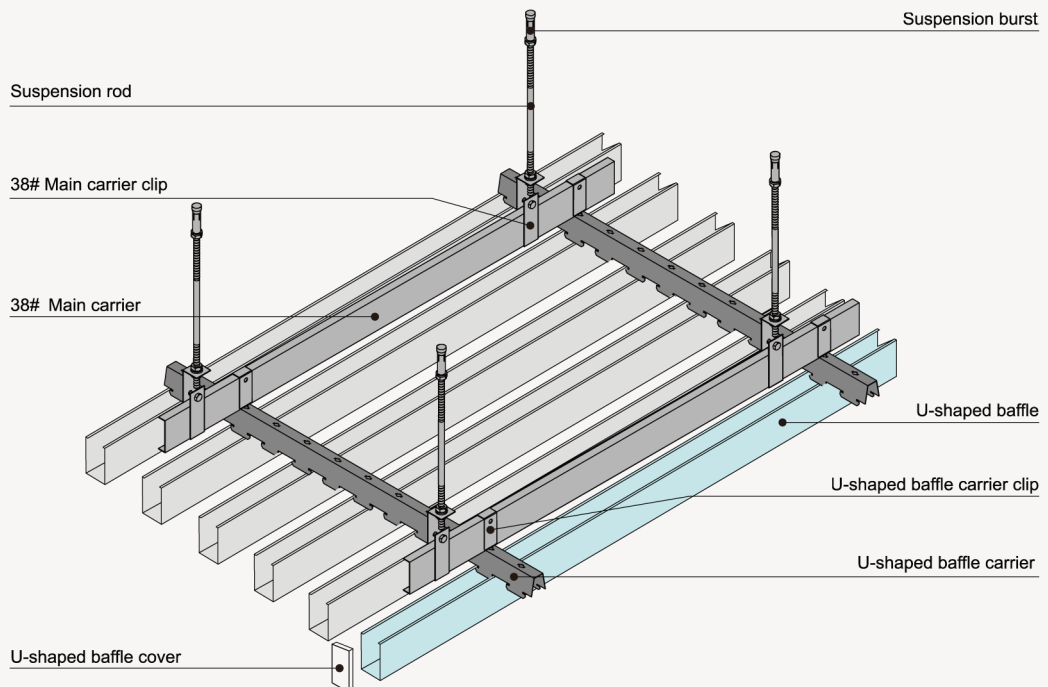
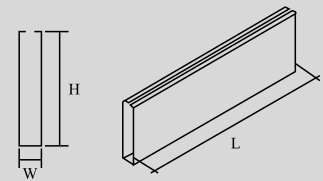
Thickness:
0.4-0.55mm



U-SHAPED BAFFLE CEILING SERIES



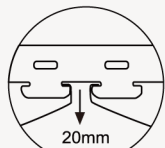
Bottom Width	Height (mm)	Thickness (mm)	Surface Treatment
20	30	0.5-0.9	PE Powder PE Pre-painted Film Coated Wood grain
25	50	0.6-0.9	
30	70	0.6-0.9	
40	80	0.75-0.9	
50	100	0.75-1.0	
60	120	0.8-1.0	
80	150	1.0-1.2	



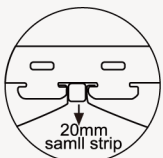
V-SHAPED BAFFLE CEILING SERIES



Width (mm)	Thickness (mm)	Surface Treatment	Length
85	0.5-0.75	PE Powder Coated/PE Pre-painted Film Coated /Wood grain	≤6000mm



With 20mm gap



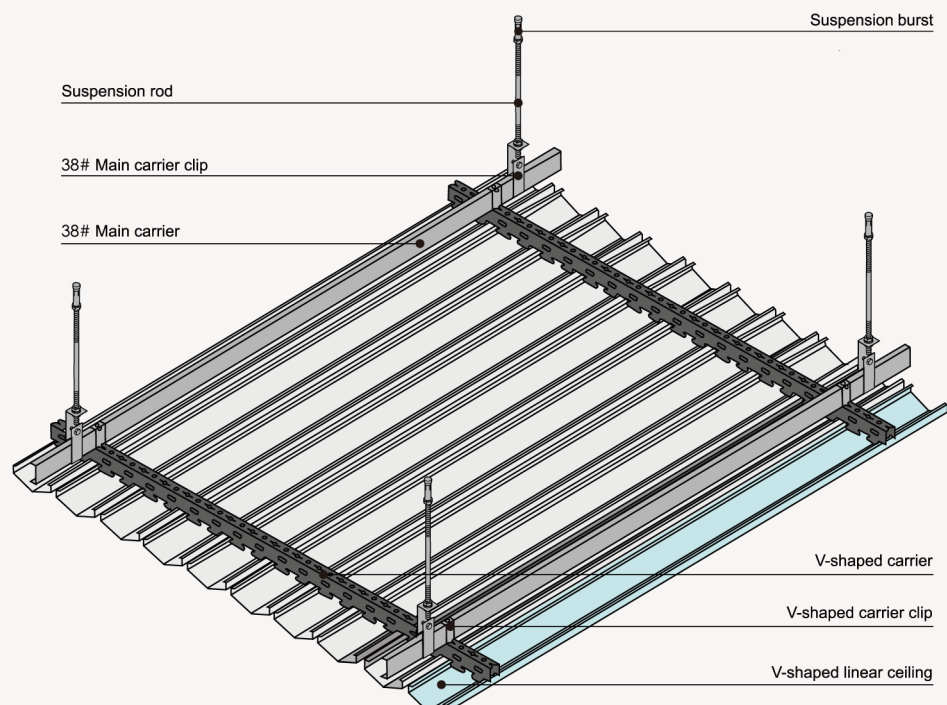
With 20mm



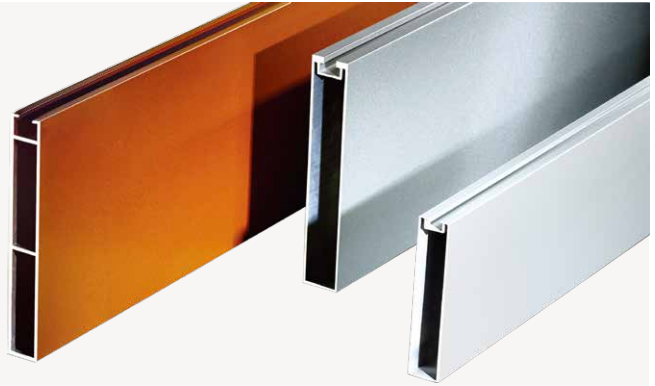
20mm small strip



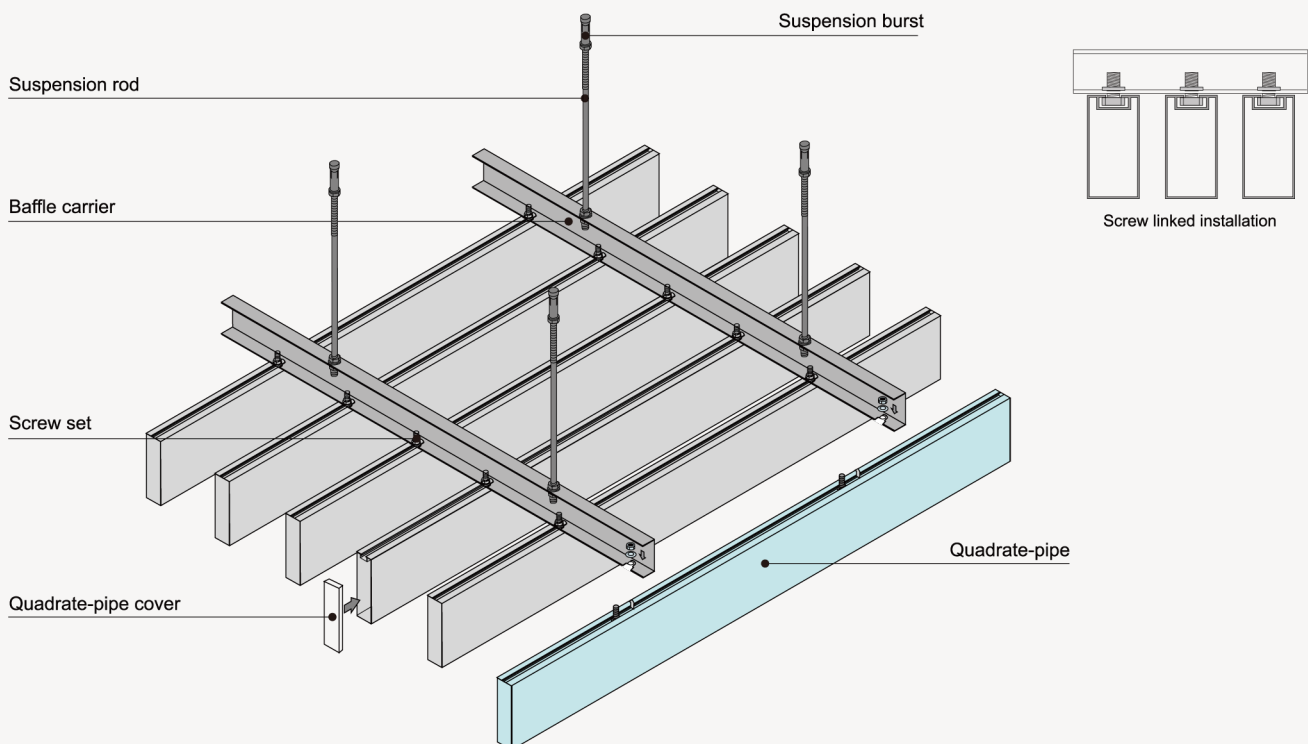
V-shaped linear



SQUARE TUBE Baffle Ceiling Series



Bottom Width(mm)	Height (mm)	Thickness (mm)	Surface Treatment
20~200	30~200	1.0-2.0	PE Powder/ Wood grain

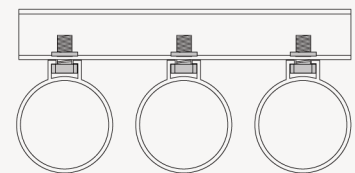
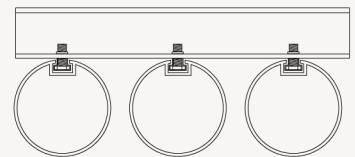
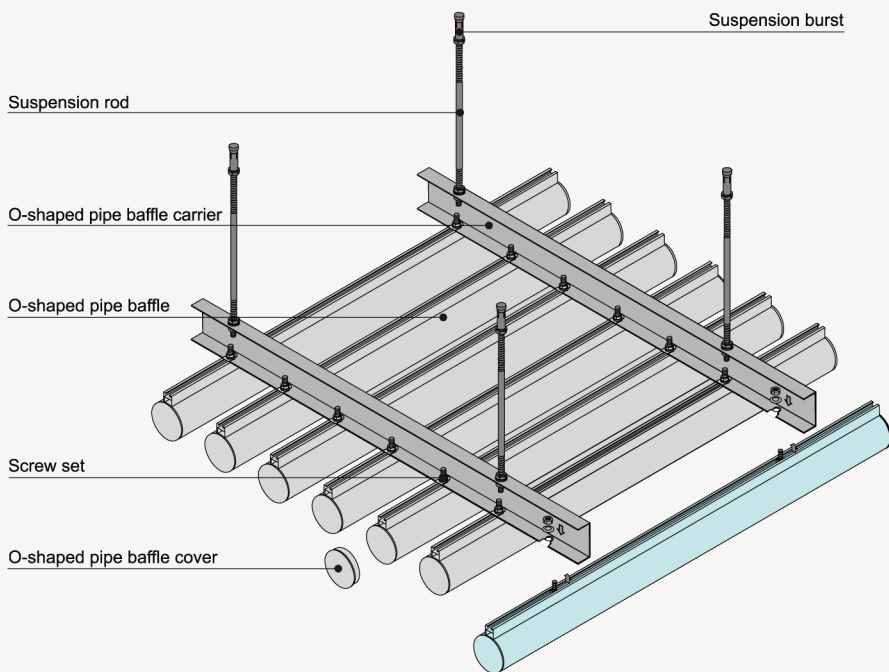


GENESIS TECHNOLOGY

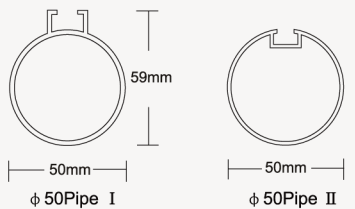
O-SHAPED BAFFLE CEILING SERIES



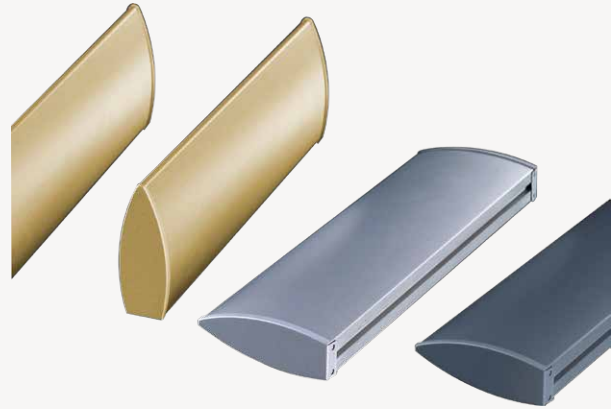
Diameter (mm)	Thickness (mm)	Surface Treatment
50	0.8-1.2	PE Powder Coated Wood Grain
60	1.0	
70	1.0	
80	1.0	
100	1.2/1.5	



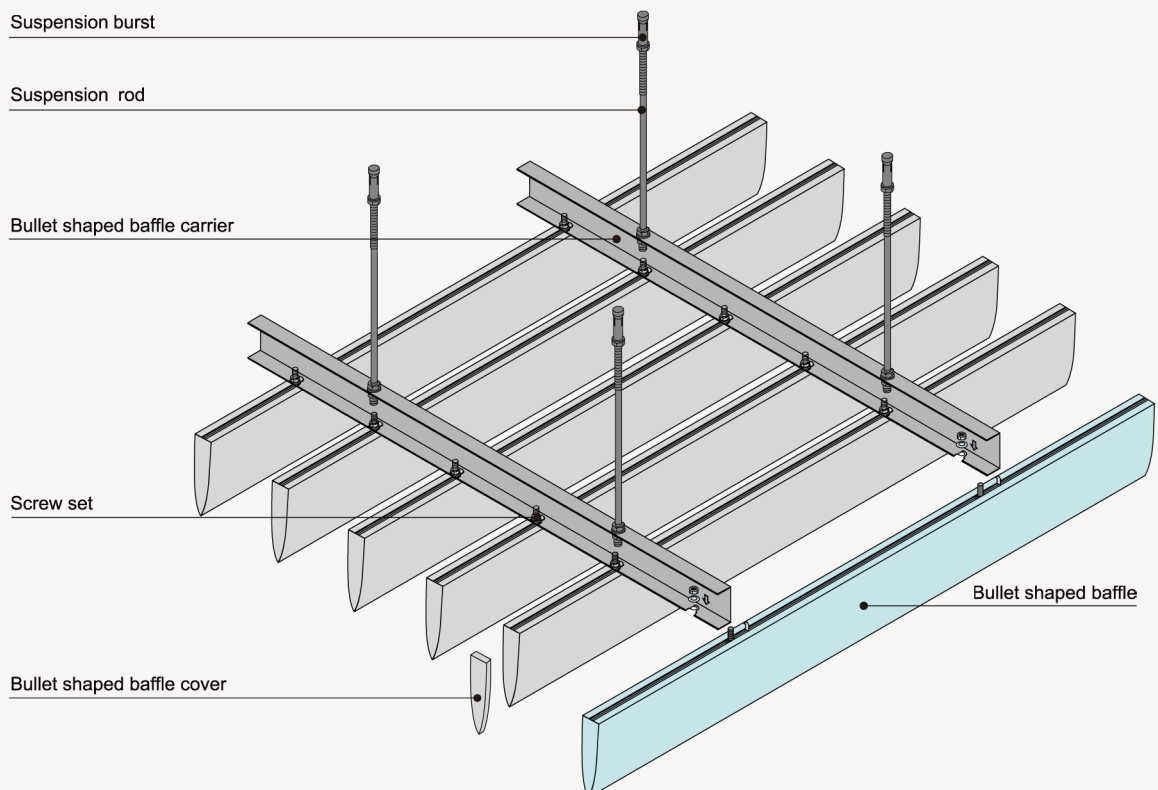
Screw linked installation



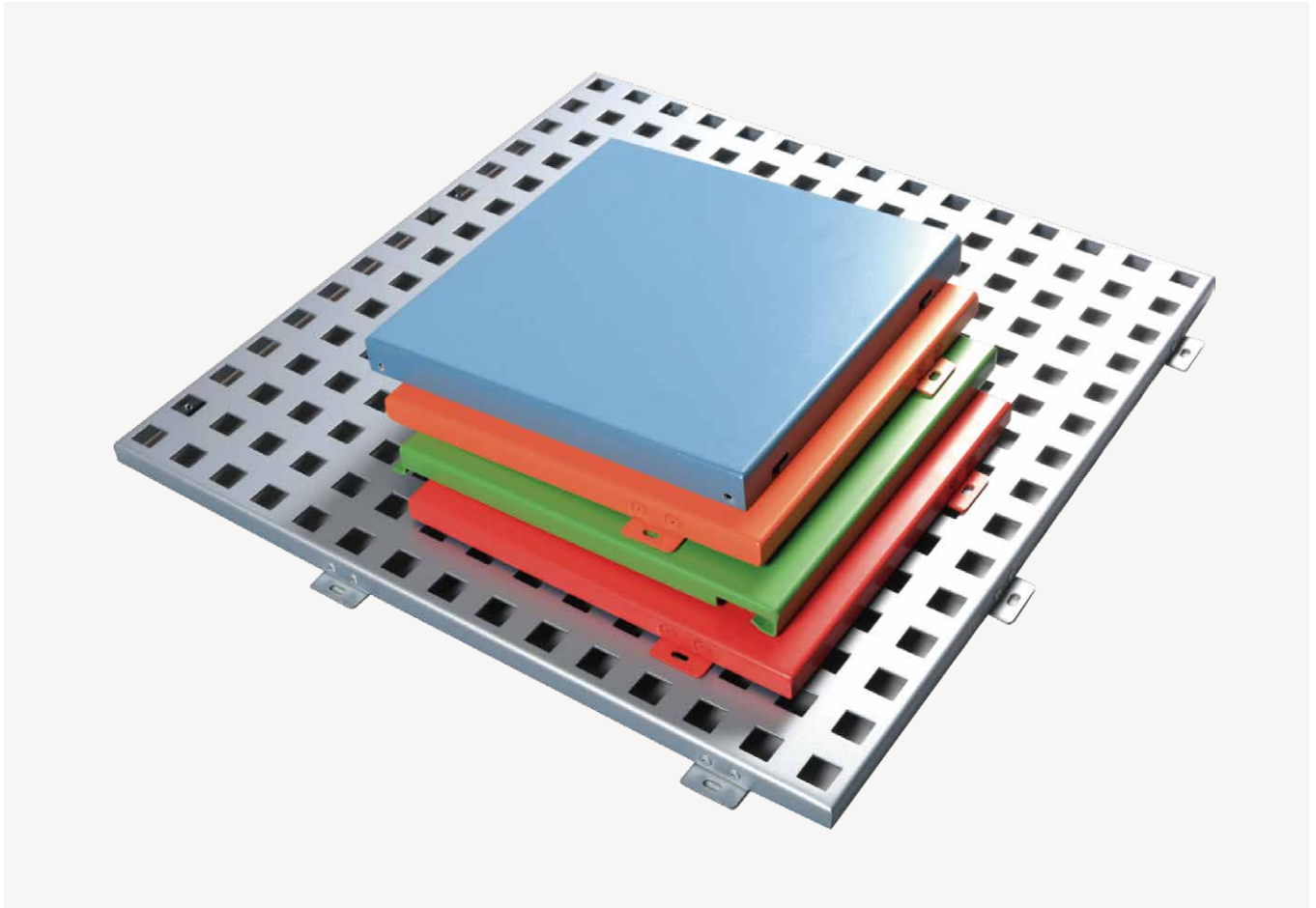
BULLET BAFFLE CEILING SERIES



Width (mm)	Thickness (mm)	Surface Treatment	Length
30*70	0.8	PE Powder Coated/Wood grain	≤6000mm
40*100	0.9		
50*100	1.0		
50*100	1.1		
50*150	1.2/1.5/1.8		



EXTERIOR & INTERIOR ALUMINUM PANEL



Product Features

1. Light weight, good rigidity, high strength
2. Good weather resistance and corrosion resistance
3. Good processing property. Aluminum panel can be processed into various shapes: plain sheet, arc-shaped sheet, sphere-shaped sheet
4. Various color option. The paint is sprayed on the surface of aluminum panel by using advanced electrostatic spraying technology
5. Easy clean and maintenance
6. Easy installation. Aluminum panel modeling in factory that in construction site directly fixed with the keel
7. Long years warranty, recyclable and environmental

WOOD GRAIN ALUMINUM PANEL



Product Features

1. Light weight, good rigidity, high strength
2. Variety of wood textures which looks true to nature
3. Fireproof, moistureproof, sound absorption
4. Easy installation
5. Easy clean and maintenance

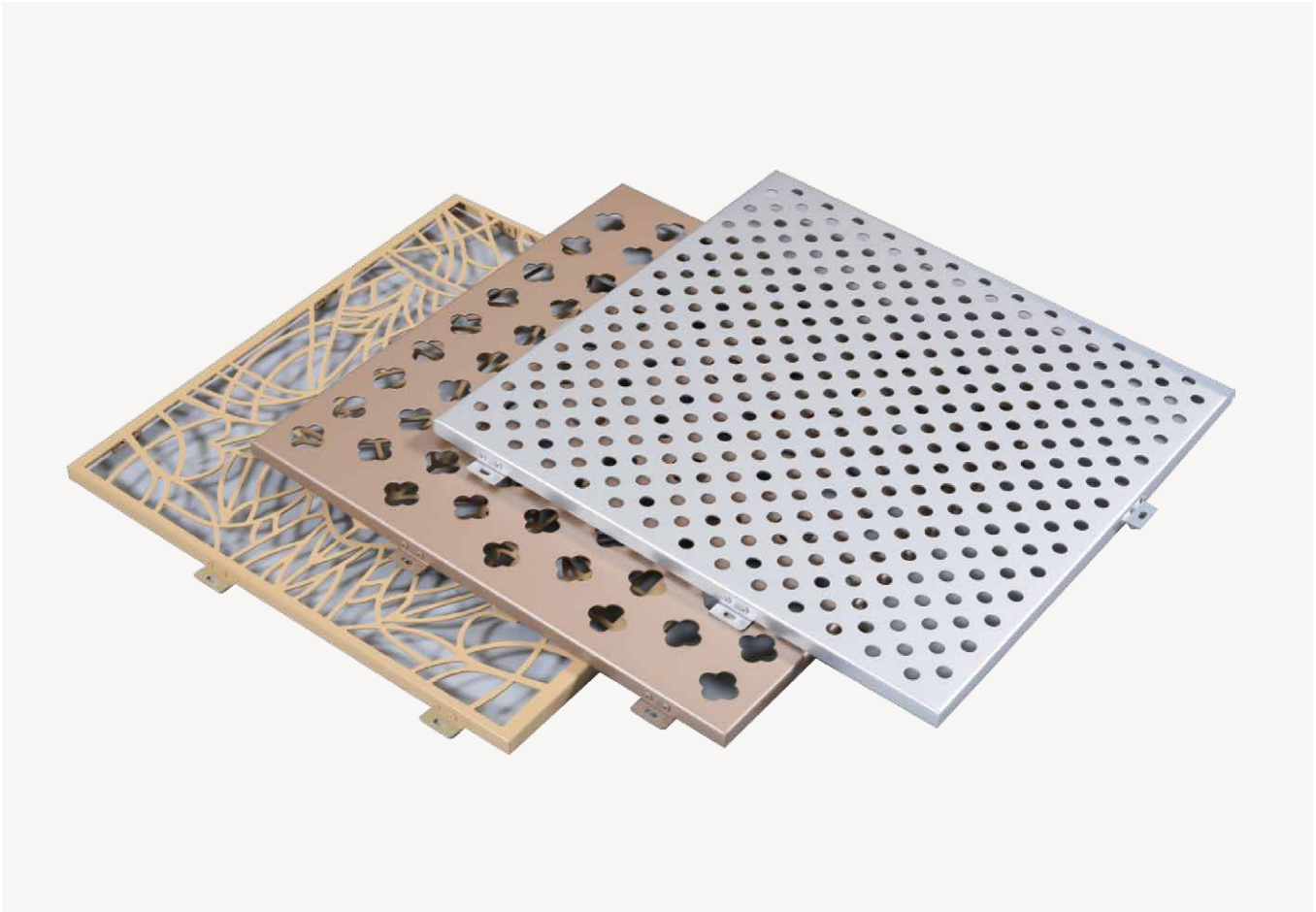
MARBLE ALUMINUM PANEL



Product Features

- 1.The stone texture is close to nature
- 2.High surface glossy
- 3.Can be processed into complex shapes
- 4.Beautiful and generous
- 5.Recyclable and environmental

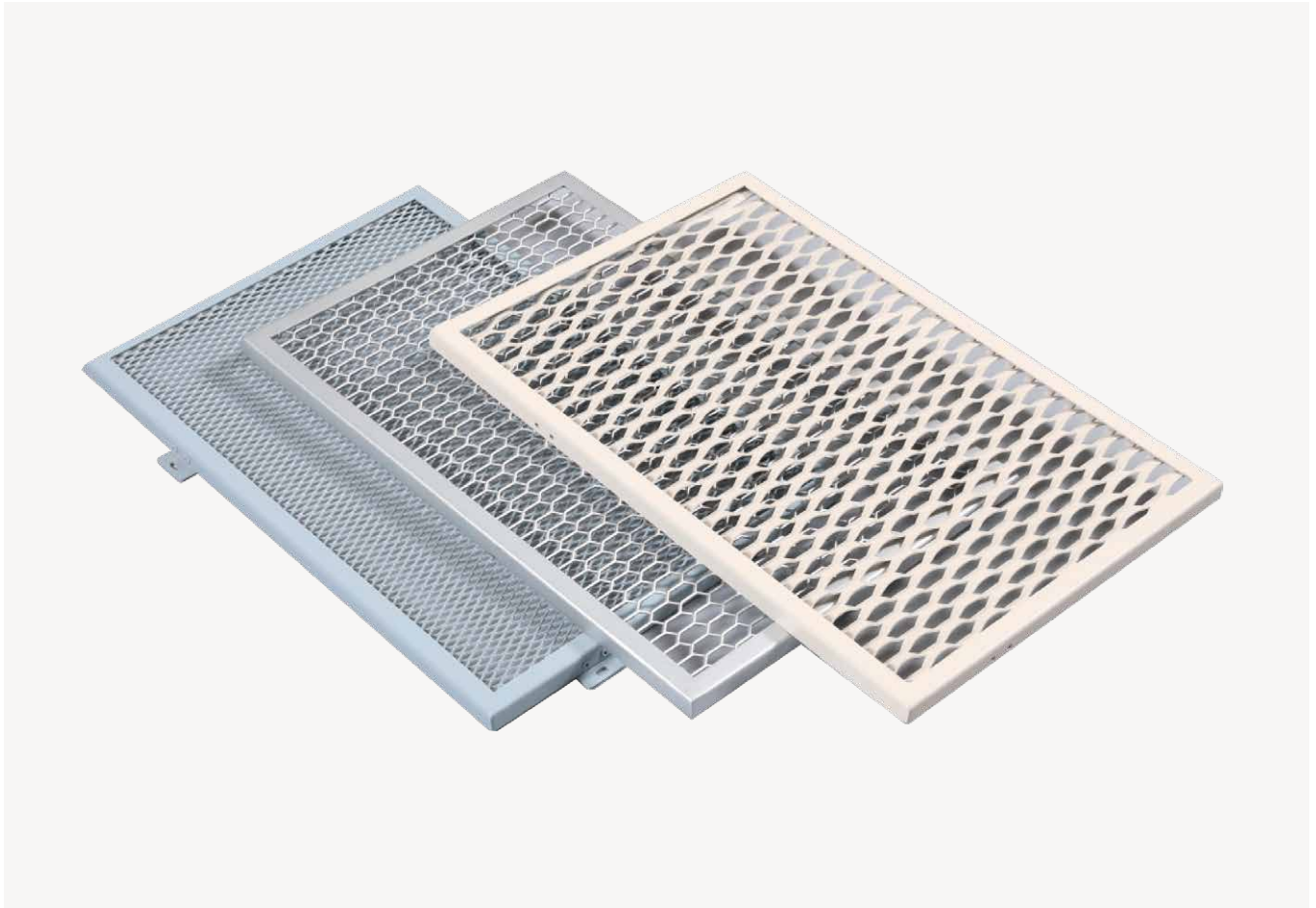
PERFORATED ALUMINUM PANEL



Product Features

- 1.Perforated panel is in lightweight
- 2.Attractive appearance and variety of hole pattern
- 3.High temperature resistance and corrosion resistance
- 4.Easy installation,easy clean and maintenance

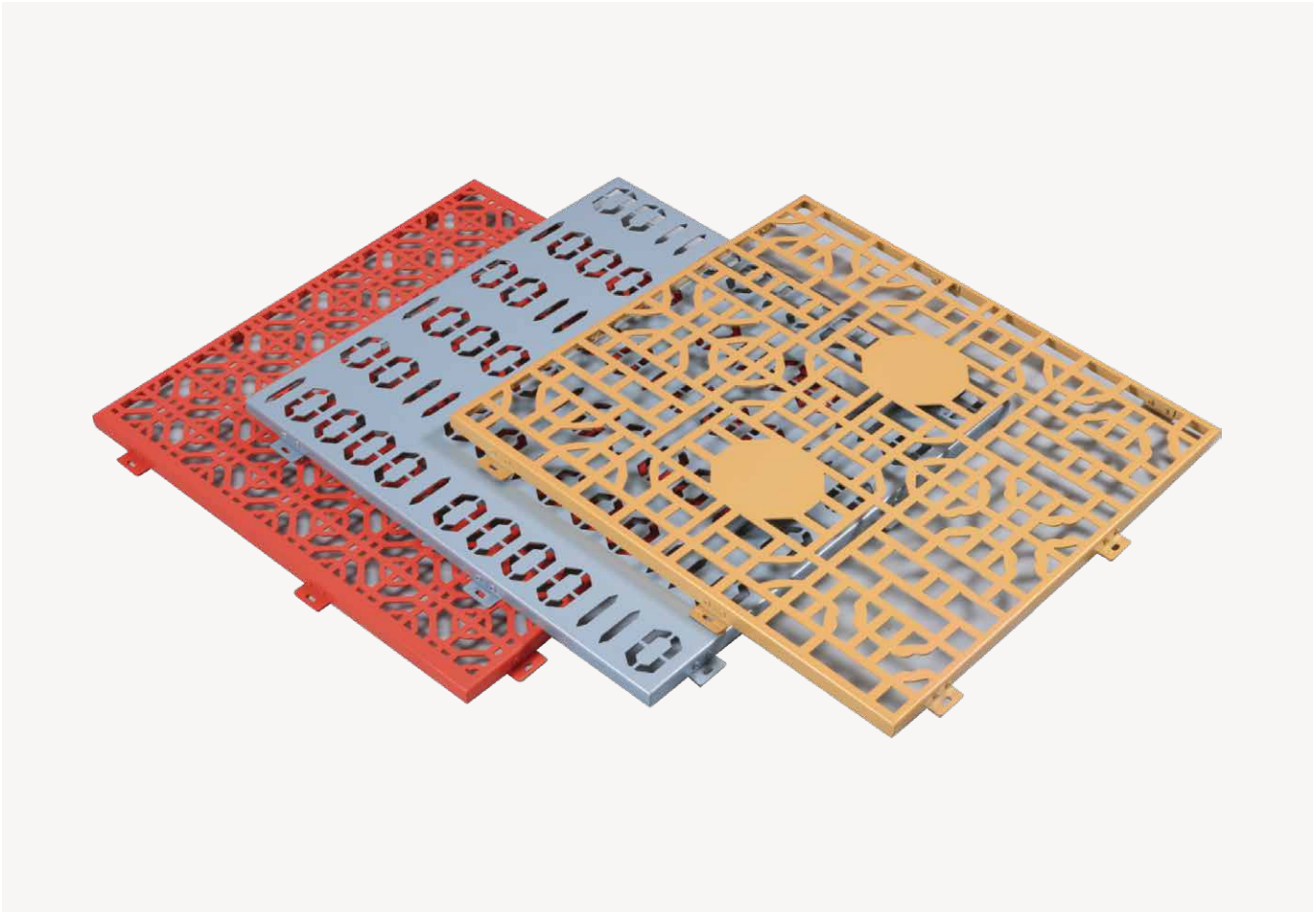
EXPANDED ALUMINUM MESH PANEL



Product Features

1. Light weight, good rigidity, high strength
2. Good weather resistance and corrosion resistance
3. Good processing property. Aluminum panel can be processed into various shapes
4. Various color option. The paint is sprayed on the surface of aluminum panel by using advanced electrostatic spraying technology
5. Easy clean and maintenance
6. Easy installation. Aluminum panel modeling in factory that in construction site directly fixed with the keel
7. Long years warranty, recyclable and environmental

ART HOLLOWED ALUMINUM PANEL



Product Features

1. Light weight, good rigidity, high strength
2. Good weather resistance and corrosion resistance
3. Rich shapes design, color can be customized
4. Easy clean and maintenance
5. Easy installation. Aluminum panel modeling in factory that in construction site directly fixed with the keel
6. Recyclable and environmental friendly

COPPER BRUSH ALUMINUM PANEL



Product Features

- 1.Reduce the high cost of copper decoration panel
- 2.Light weight,good rigidity,high strength
- 3.Good weather resistance and corrosion resistance
- 4.Good processing property.Aluminum panel can be processed into various shapes
- 5.Easy clean and maintenance
- 6.Easy installation.Aluminum panel modeling in factory that in construction site directly fixed with the keel

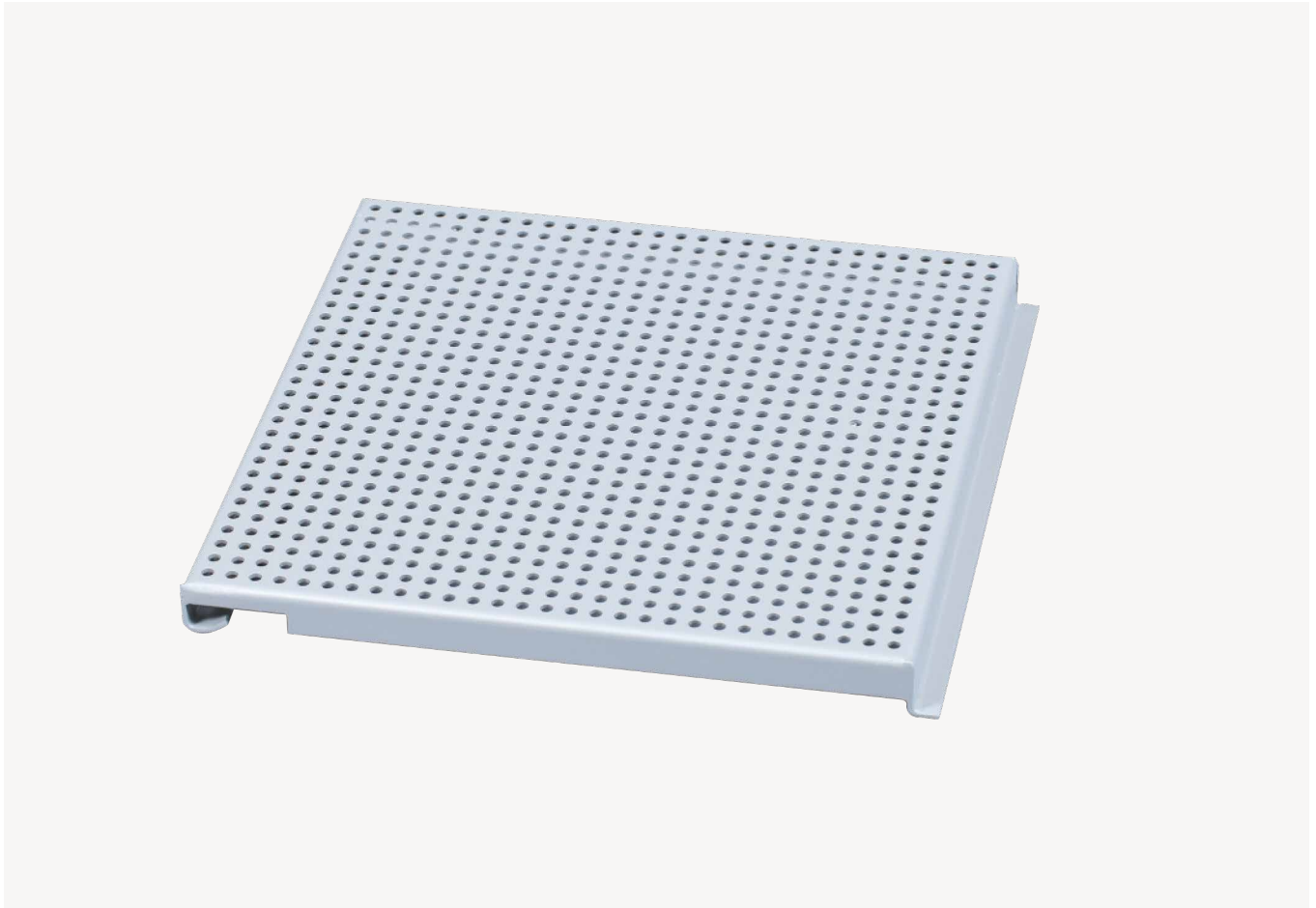
ANODIZED ALUMINUM PANEL



Product Features

1. Light weight, good rigidity, high strength
2. Good weather resistance and corrosion resistance. Interior used panel with standard thickness of oxidation film(3um) will not change color, corrosion, oxidization, rust. Exterior used panel with oxidation film(10um) will not change color for long years
3. The surface good metal texture. No paint on surface, remain the metallic color of aluminum
4. Excellent fireproof performance
5. Outstanding process-ability. No need to do surface treatment, reduce the production time and cost

HOOK-ON ALUMINUM PANEL



Product Features

- 1.Hook-on design,the gap between panels is tight
- 2.Light weight,good rigidity,high strength
- 3.Good weather resistance and corrosion resistance
- 4.Good processing property.Aluminum panel can be processed into various shapes
- 5.Various color option.The paint is sprayed on the surface of aluminum panel by using advanced electrostatic spraying technology
- 6.Easy clean and maintenance
- 7.Easy installation.Aluminum panel modeling in factory that in construction site directly fixed with the keel
- 8.Long years warranty,recyclable and environmental

SINGLE CURVED ALUMINUM PANEL



Product Features

- 1.Sleek lines,strong sense of hierarchy
- 2.Color,thickness can be customized
- 3.Easy clean and maintenance
- 4.Easy installation,saving cost
- 5.Long years warranty,recyclable and environmental

HYPERBOLIC ALUMINUM PANEL



Product Features

- 1.Hyperbolic aluminum panel is made of premium aluminum alloy.Long service time,saving the cost
- 2.Good processing property that making the aluminum panel have outstanding appearance
- 3.Good weather resistance and corrosion resistance
- 4.High technology.The production process is relatively troublesome and difficult,higher requirements for machinery and workers

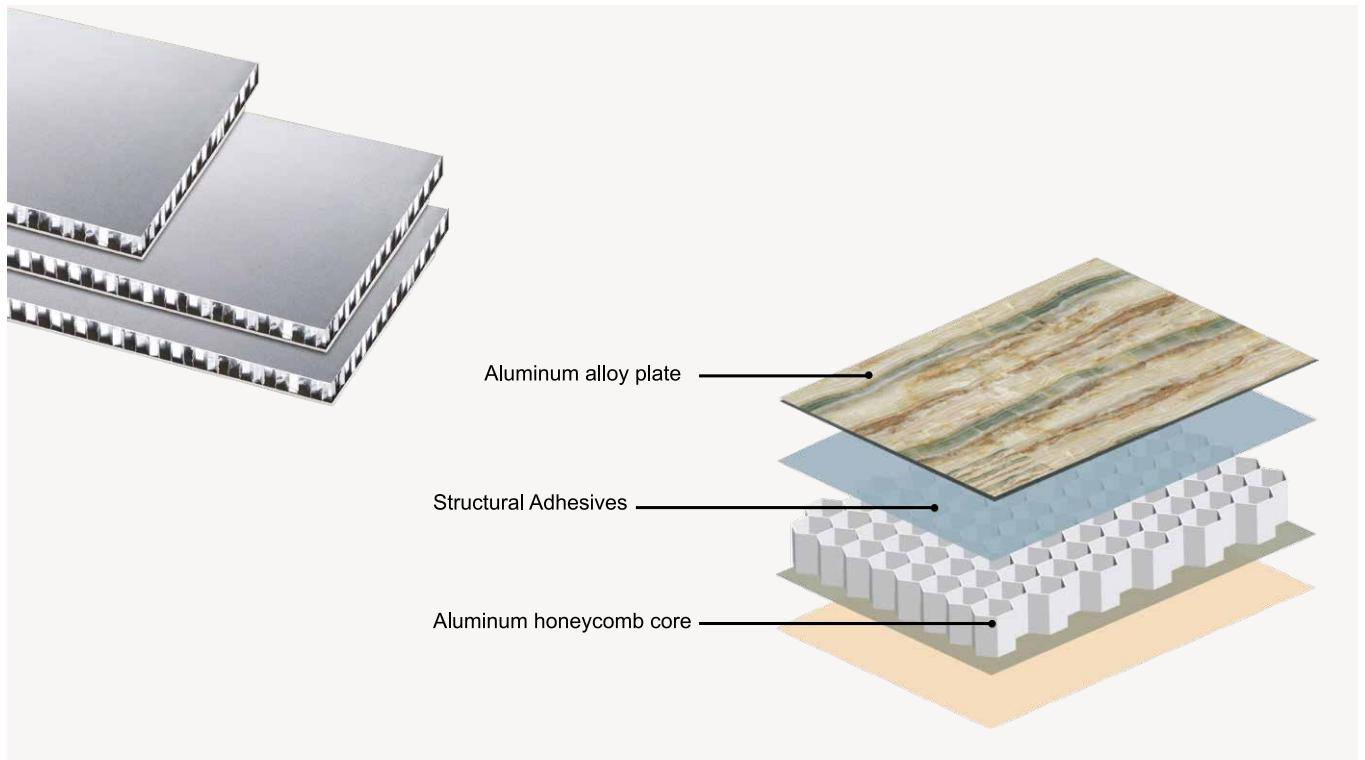
CERAMIC ALUMINUM PANEL



Product Features

- 1.Strong anti-corrosion.Salt spray test over 2000 hours
- 2.Good fire resistance and weather resistance
- 3.Stable structure.Ceramics have high strength structural stability
- 4.Strong self-cleaning effect
- 5.Variety of colors option
- 6.Recyclable and environmental friendly

ALUMINUM HONEYCOMB PANEL



Product Features

- 1.Flat and straight flatness
- 2.Various color option,elegant and smooth
- 3.Outstanding performance in noise insulation,heat insulation,fireproof,earthquake resistant
- 4.Easy installation,clean and maintenance
- 5.Color and shape design can be customized

3D ALUMINUM CORE COMPOSITE PANEL



Specification(mm)	1220x2440
Thickness(mm)	3MM/4MM/4.5MM/6MM
Special Width	1000/1250/1550/1600
Length	6000mm Max

Product Features

- 1.A2 Class Fire Resistance
- 2.Lighter weight compared with ACP and saving more cost
- 3.Good processing property.
- 4.Various color option.Surface can show appearance of wood grain,marble,mirror
- 5.Recyclable and environmental friendly

**GENESIS
PROJECT CASE**



We Always Keep Improving



WE CAN MAKE THE BEST

INNOVATION, QUALITY, PRICE



ALUMINUM CEILING & FACADES

☎ 0086-15077833565

✉ leo@leacharm.com

📍 Hehai West Road, Xingbei District, Changzhou, China

🌐 www.genesis-ceiling.com